

Assembly Guide

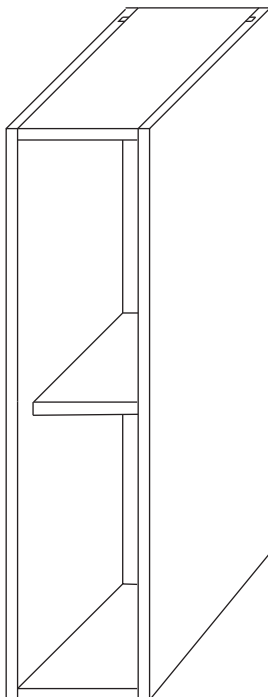
150mm Wide Wall Cabinet

IMPORTANT – Please read prior to installation

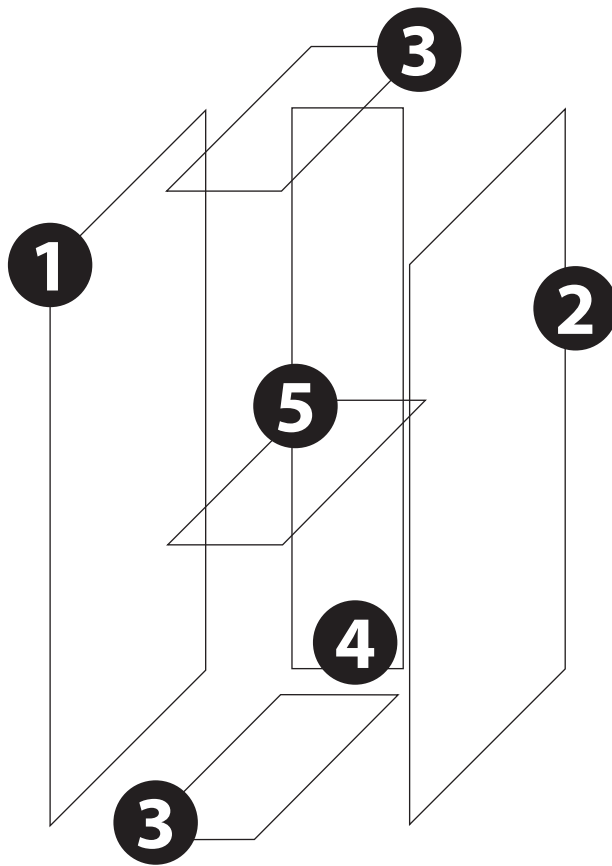
Thanks for purchasing a solid oak kitchen cabinet. Before you commence installation, please check the contents of this package to ensure that all necessary components are included. Please contact us immediately via email if any parts appear to be missing.

Please ensure that you assemble the goods in a clean, dry area, with plenty of space, and that you have the correct tools and equipment to hand. We recommend that you read the instructions in full before you commence assembly, and if necessary, run through the installation procedure without physically assembling any items before you begin. Only construct one cabinet at a time, and follow the installation stages in order, without modification. During installation, be careful to keep the relevant fittings for the current cabinet together. Do not over tighten screws, and ensure that any larger panels are laid flat and protected.

Clean the cabinets with a damp cloth, and if necessary a small amount of liquid soap, only. Do not use abrasives. We provide a full cleaning and aftercare guide on our website, please view this for further information.



Panels



1 x **1**

1 x **2**

2 x **3**

1 x **4**

1 x **5**

Hardware

8 x **A**

8 x **B**

6 x **C** 25mm

4 x **D** 30mm

8 x **E**

4 x **F**

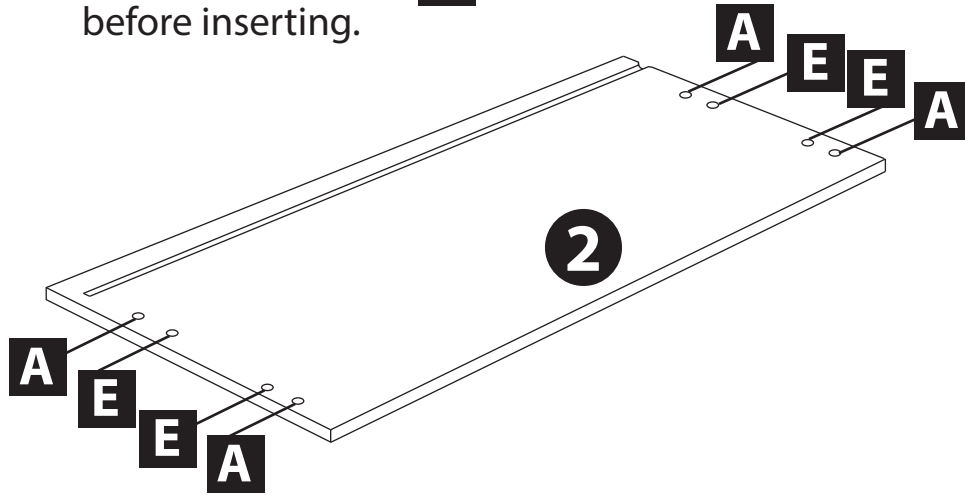
2 x **G**

2 x **H**

1

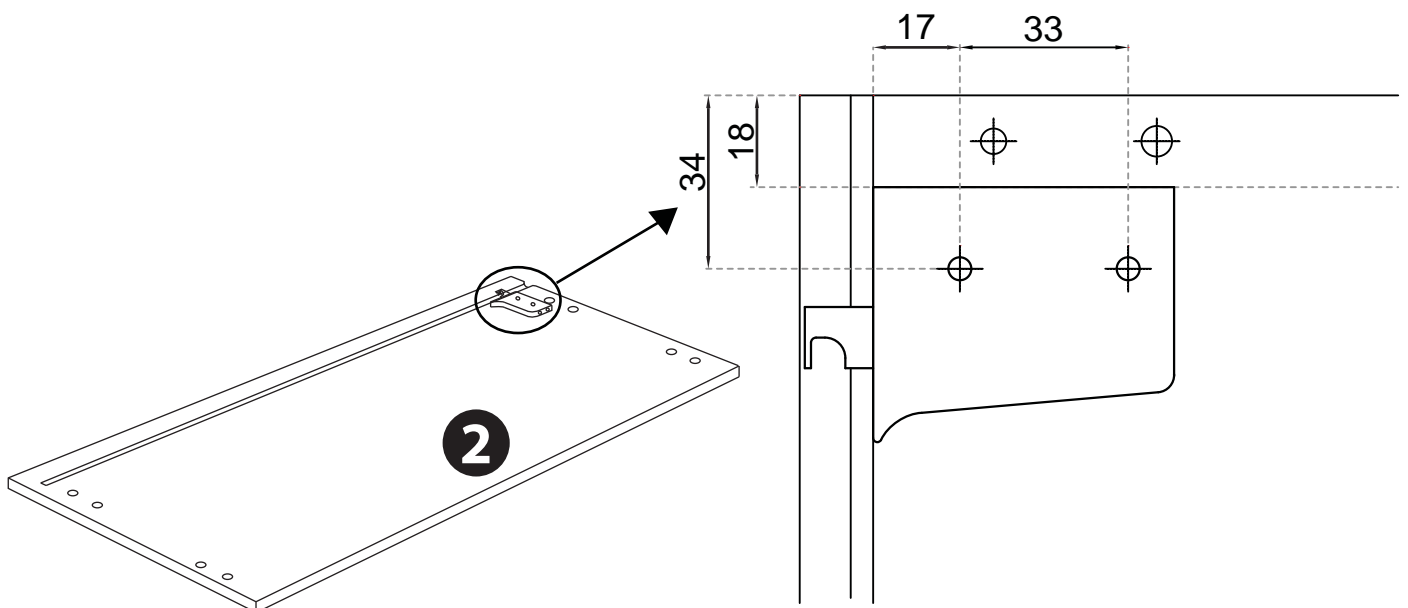
Insert **A** and **E** as shown in the diagram below.

Apply a small drop of glue to each dowel **E** before inserting.



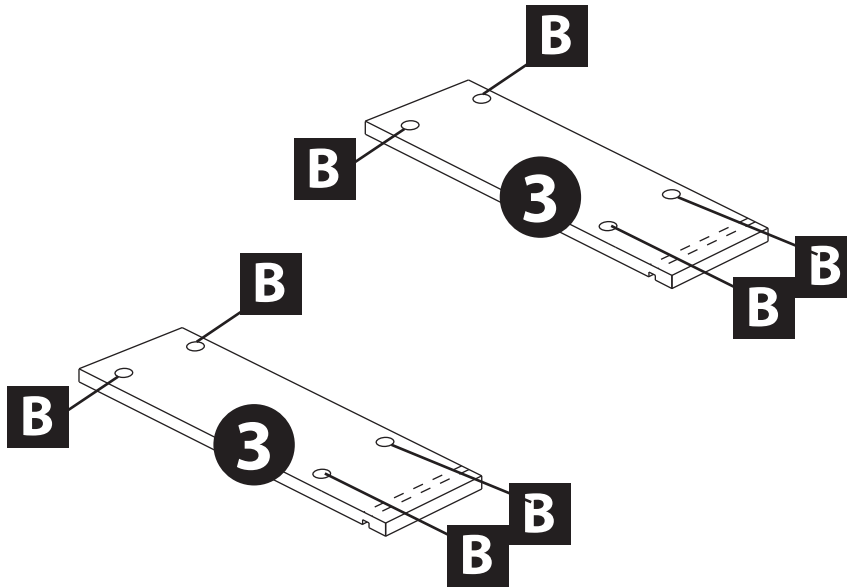
2

Attach wall hanging unit **H** to top of side panels **1** and **2** using **D** screws.



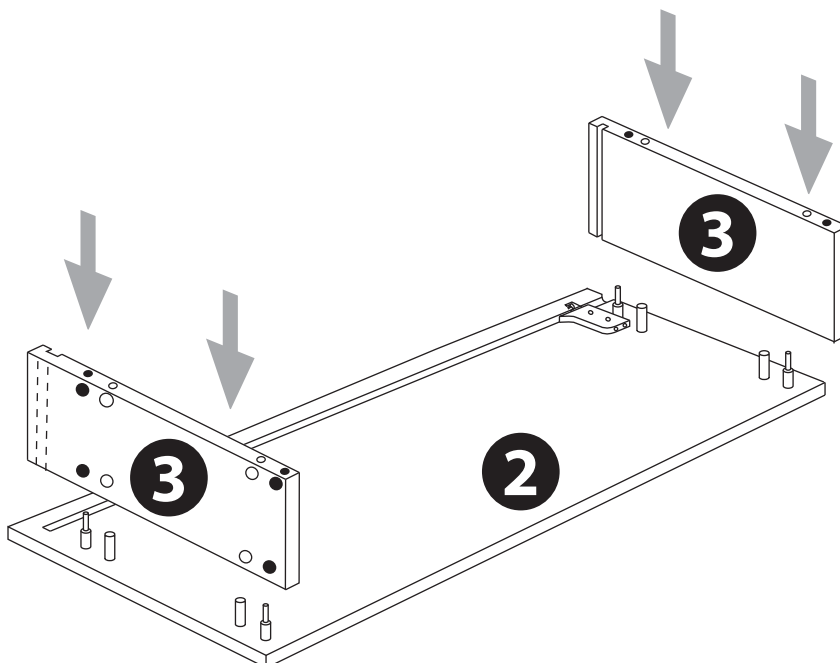
3

Insert **B** as shown ensuring the arrow marking is pointing towards the outside edge.



4

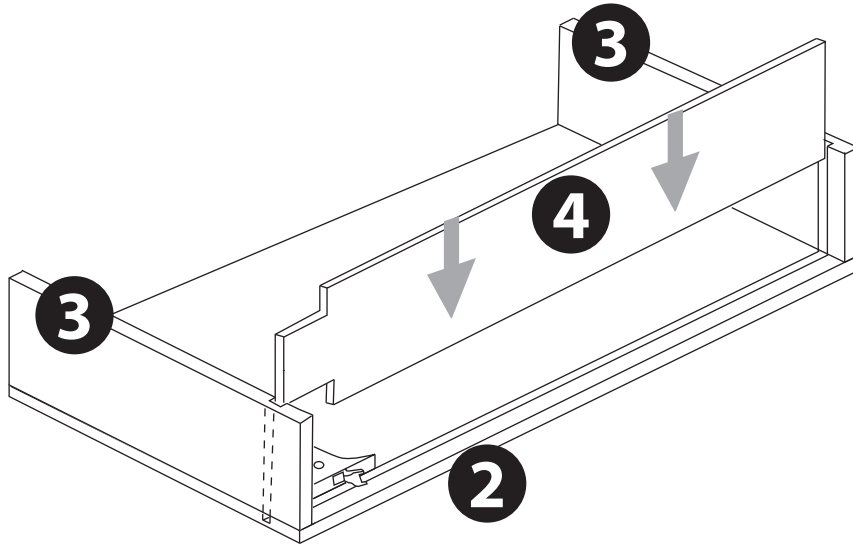
Connect the base panel **3** to the side panel **2** using the fittings inserted during steps 1 and 2. Repeat the process for top panel **3**



5

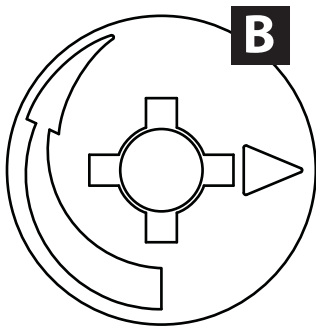
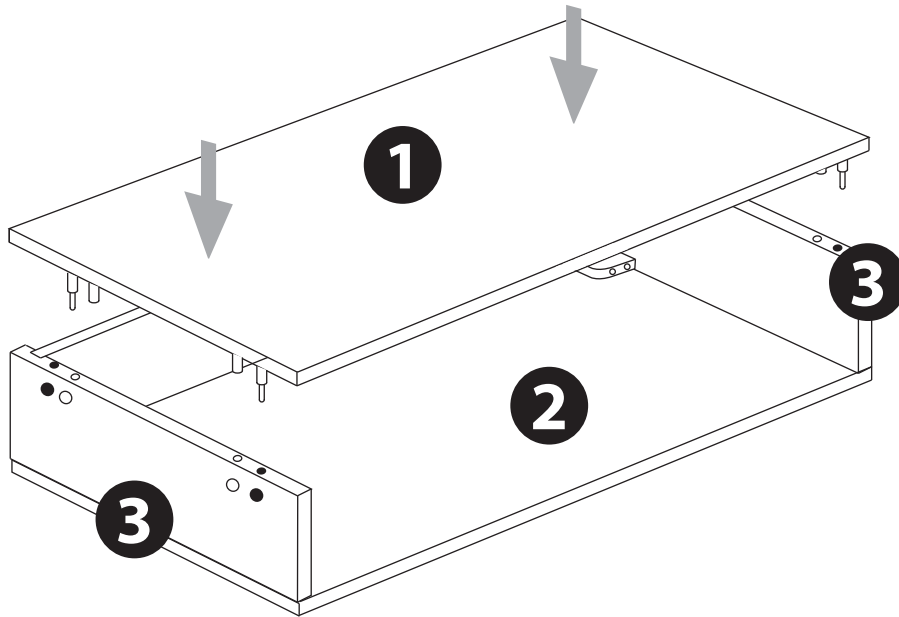
Slide the back panel **4** between the grooves on the inside edge of panels **3** as shown.

It is advised that you run a small amount of glue along the grooves first.



6

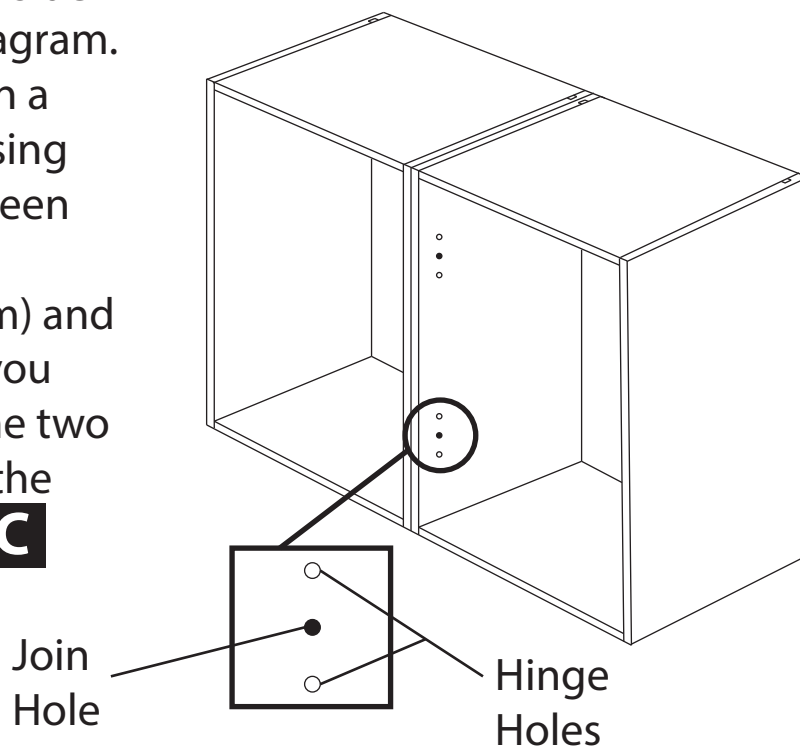
Connect the opposite side panel **1** as shown



Tighten all fittings **B** by turning in direction of arrow with a screwdriver.

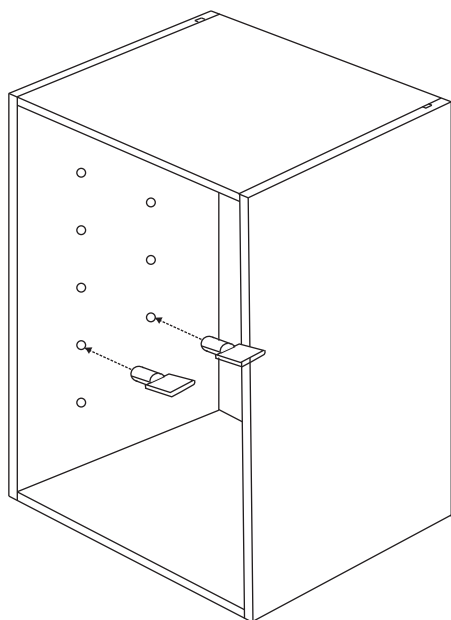
Joining Cabinets

Cabinets should be joined between each set of hinge holes on the inside edge of the side panel as shown in the diagram. Mark 25mm as a guide on a 3mm diameter drill bit using masking tape. Drill between the hinge holes into the cabinet side panel (18mm) and 7mm into the next until you reach the marker. Join the two cabinets together using the 25mm screws provided **C**



Fitting Shelves

Shelves



Push the shelf supports **F** into the pre-drilled shelf holes then sit the shelf on top.