

Assembly Guide

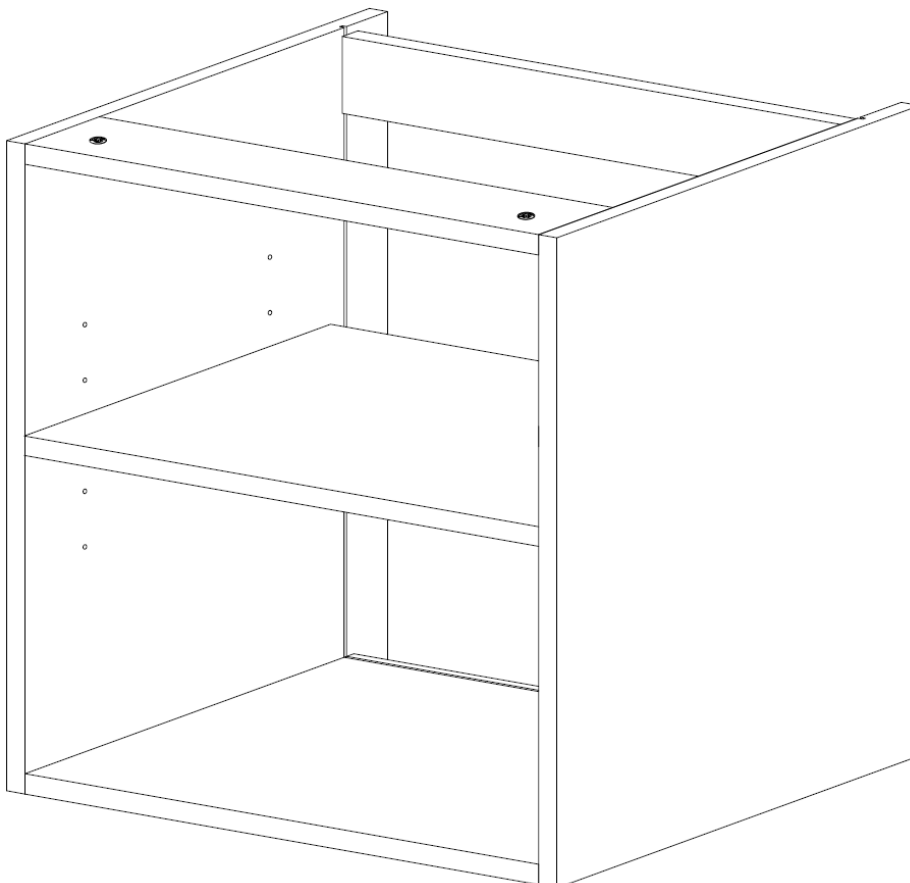
600mm Wide Sink Cabinet

IMPORTANT – Please read prior to installation

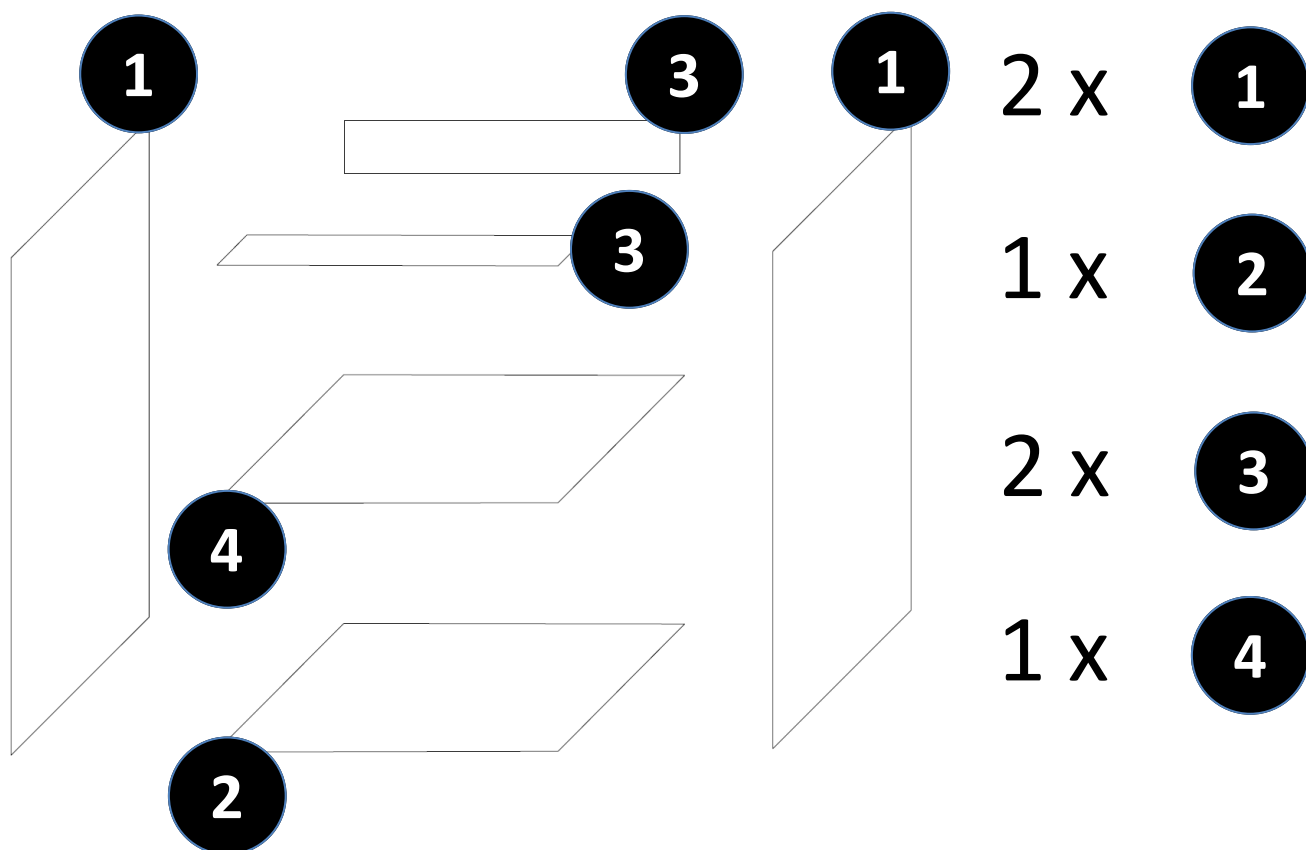
Thanks for purchasing a solid oak kitchen cabinet. Prior to commencing installation please check the contents of this package to ensure that all necessary components are included. Please contact us immediately via email if any parts appear to be missing.

Please ensure that you assemble the goods in a clean, dry area, with plenty of space, and that you have the correct tools and equipment to hand. We recommend that you read the instructions in full before commencing assembly; and if unsure we advise an initial rehearsal of the installation procedure without physically assembling any items. Only construct one cabinet at a time and follow the installation stages in order without modification. During installation, be careful to keep the relevant fittings for each cabinet together. Do not over-tighten screws, and ensure that any larger panels are laid flat and protected.

We advise using a damp cloth and – if necessary – a small amount of liquid soap to clean the cabinet. Do not use abrasive materials. For more information, please view the full cleaning and aftercare guide on our website.



Panels

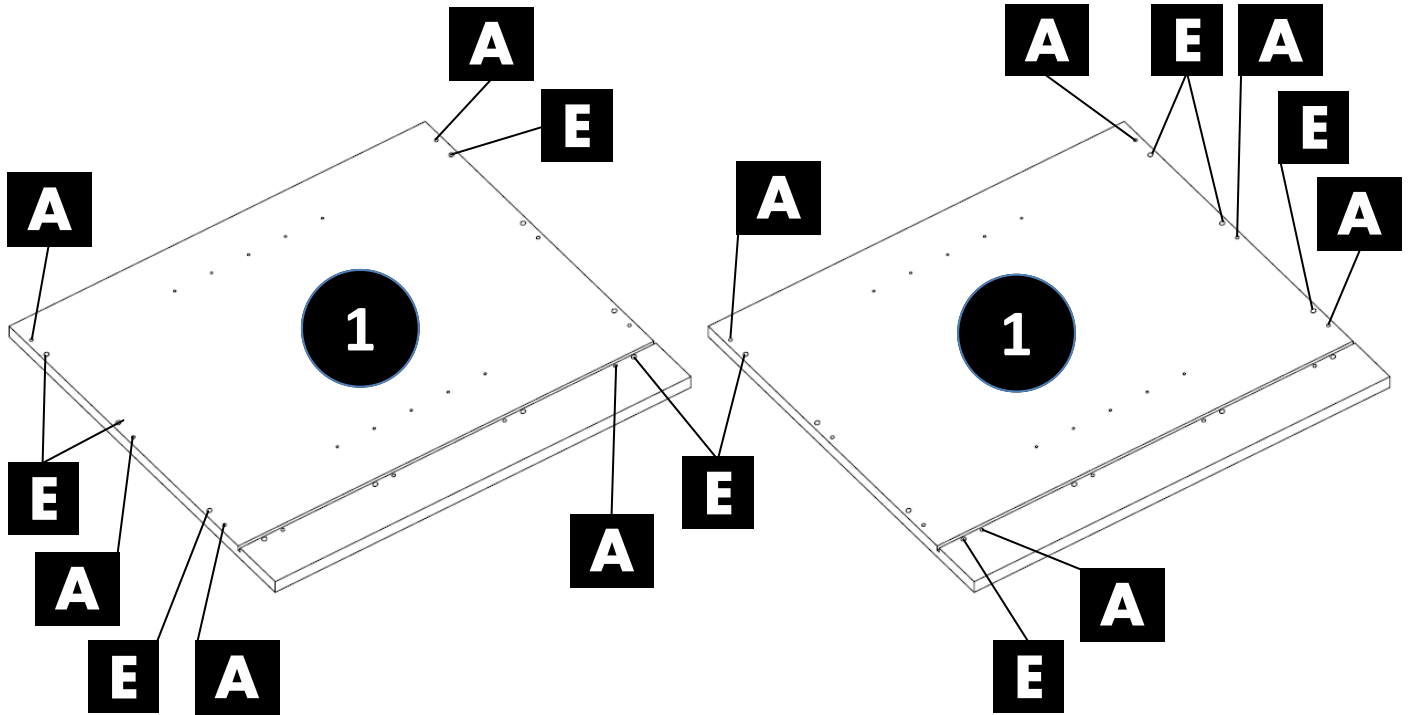


Hardware

- | | | | | | |
|------|----------|------|-----|----------|--|
| 10 x | A | | 4 x | H | |
| 10 x | B | | | | |
| 24 x | C | 15mm | 4 x | I | |
| 4 x | D | 25mm | | | |
| 10 x | E | | | | |
| 4 x | F | | | | |
| 2 x | G | | 2 x | J | |

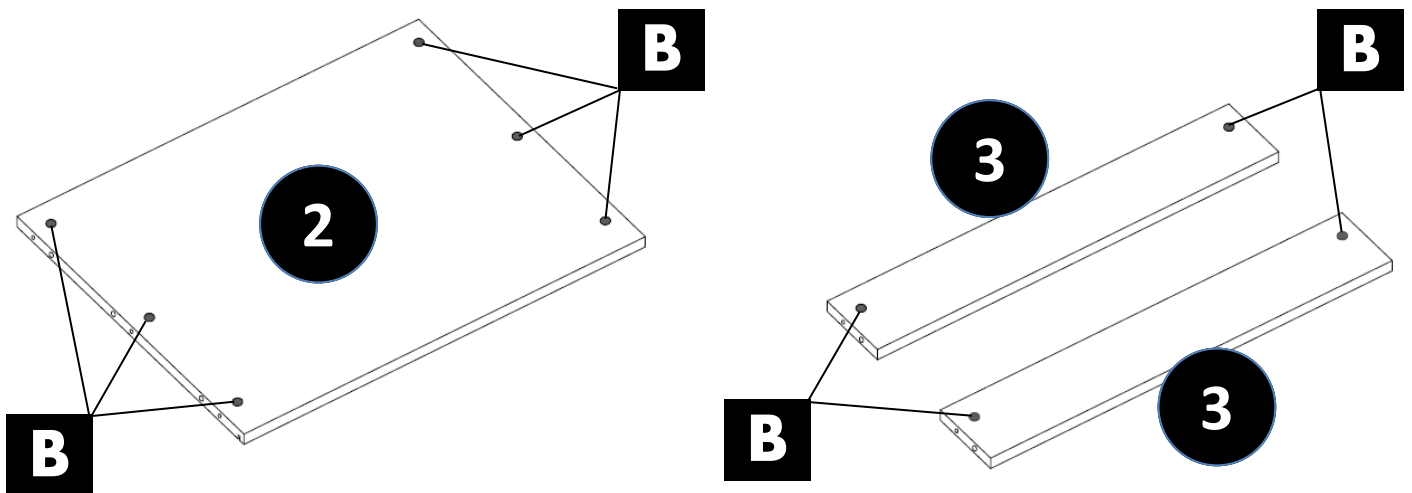
1

Insert connecting bolts **A** and dowels **E** as shown in the diagram below for both side panels **1**. Apply a small drop of glue to each dowel before inserting.



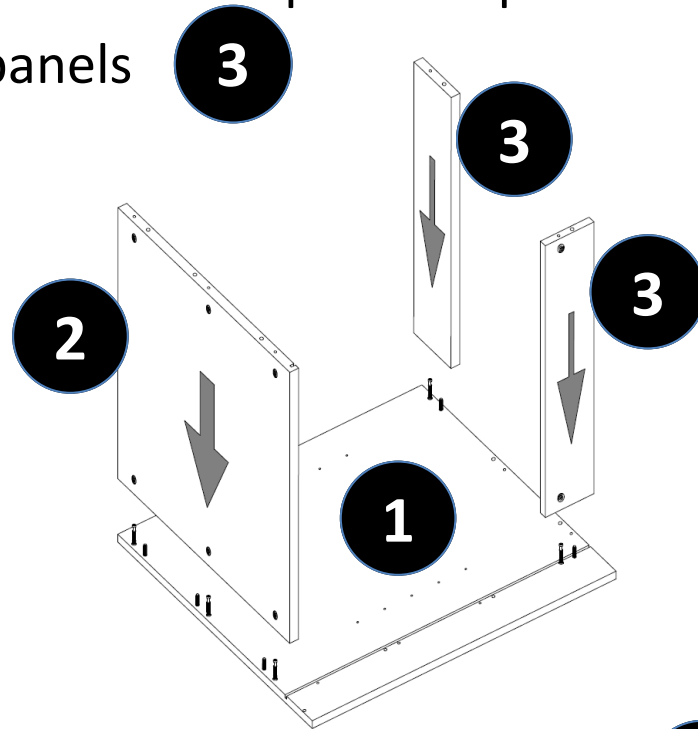
2

Insert cams **B** into the panels **2** and **3** as shown in the diagram below. Ensure that the arrow marking is pointing towards the outside edge of the panel.



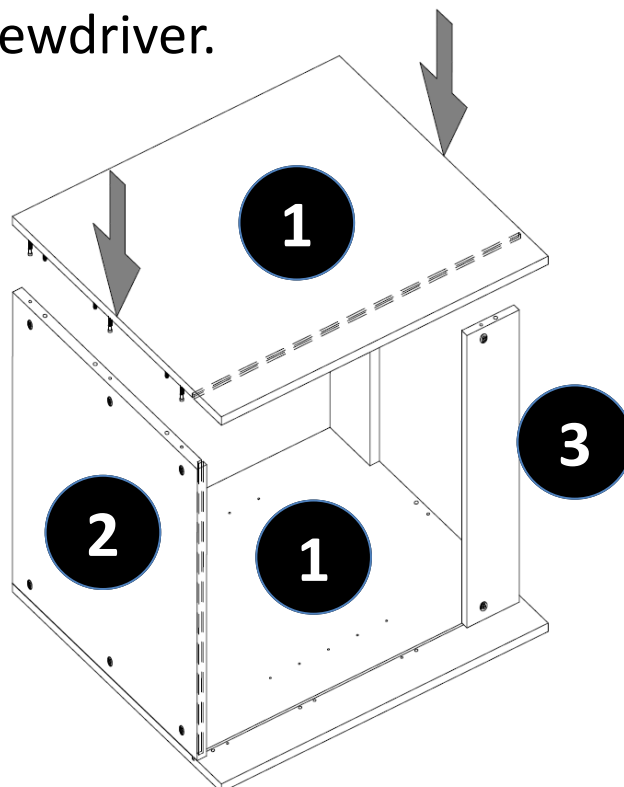
3

Connect the base panel **2** to the side panel **1** using the fittings inserted during steps 1 and 2. Repeat the process for all top panels **3**



4

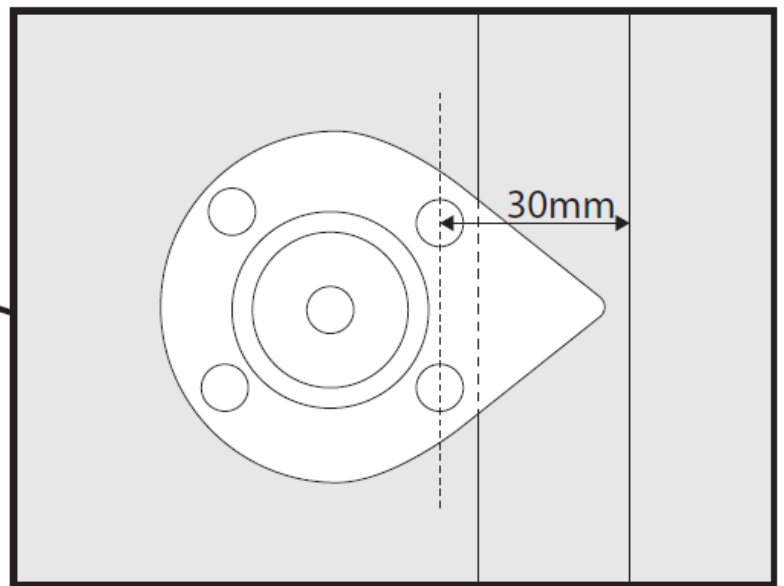
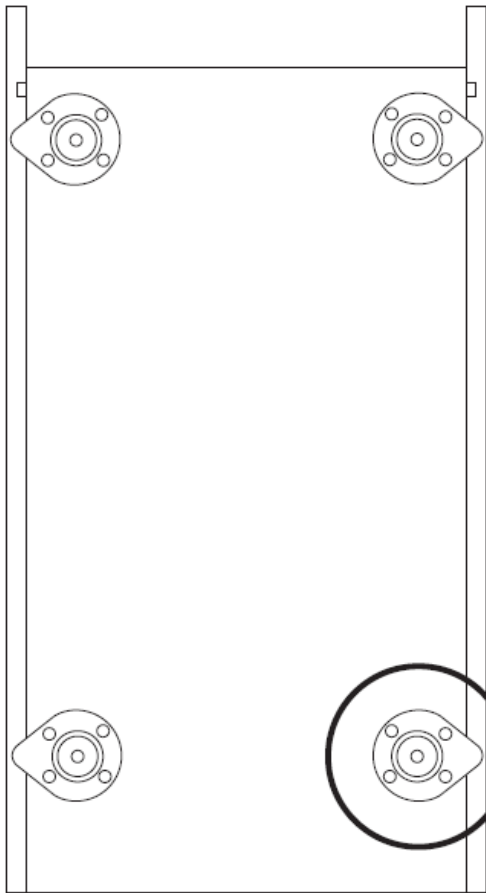
Connect the opposite side panel **1** as shown in the diagram below. Tighten all the fittings **B** by turning them in the direction of the arrow with a screwdriver.



Fitting Cabinet Legs

1

Position each leg housing **H** towards the edge of the base panel at each corner. Ensure screw holes are not aligned over the panel join and that the overhang foot support is overlapping the side panel as shown in the diagram below.



2

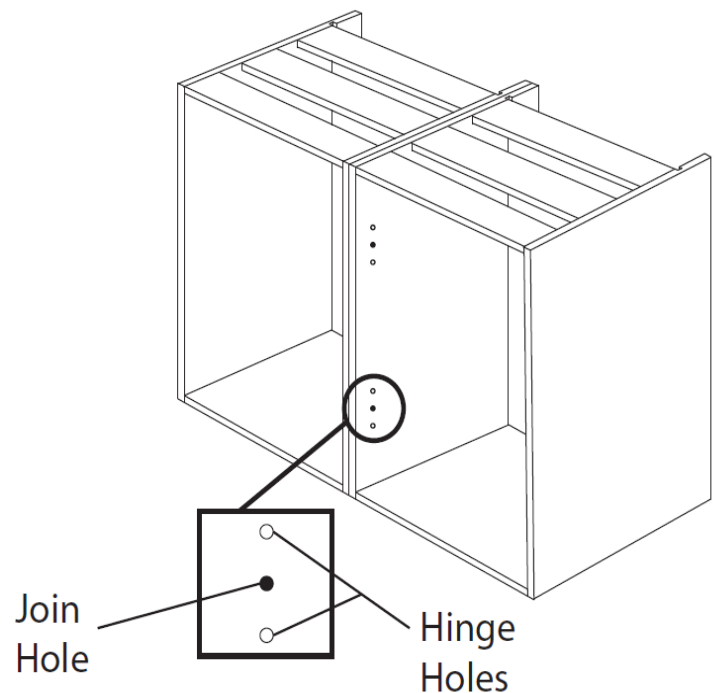
Drill 3mm pilot holes into the base panel through the four mounting holes in each leg housing. Now screw the four screws **C** supplied with each leg directly through the leg housing and into the base panel.

3

Attach the adjustable legs **I** to each leg housing and adjust to the appropriate height.

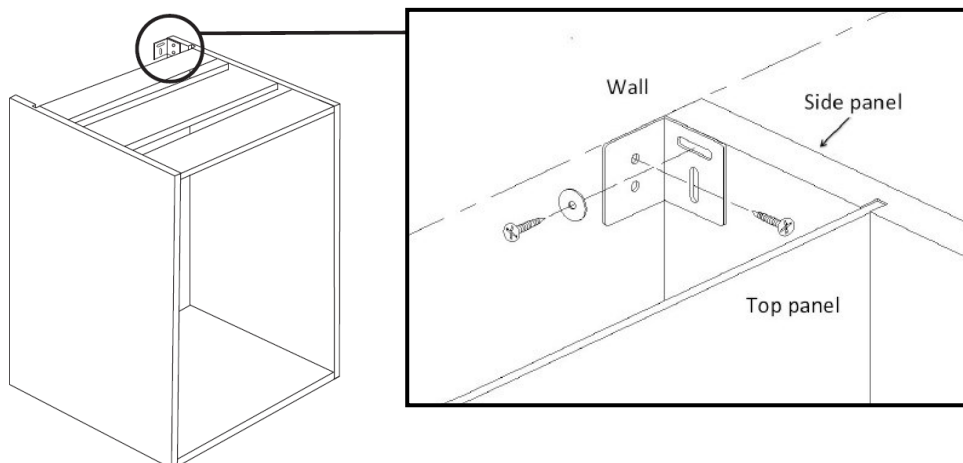
Joining Cabinets

Cabinets should be joined between each set of hinge holes on the inside edge of the side panel as shown in the diagram. Mark 25mm as a guide on a 3mm diameter drill bit using masking tape. Drill between the hinge holes into the cabinet side panel (18mm) and 7mm into the next until you reach the marker. Join the two cabinets together using the 25mm screws **D** provided.



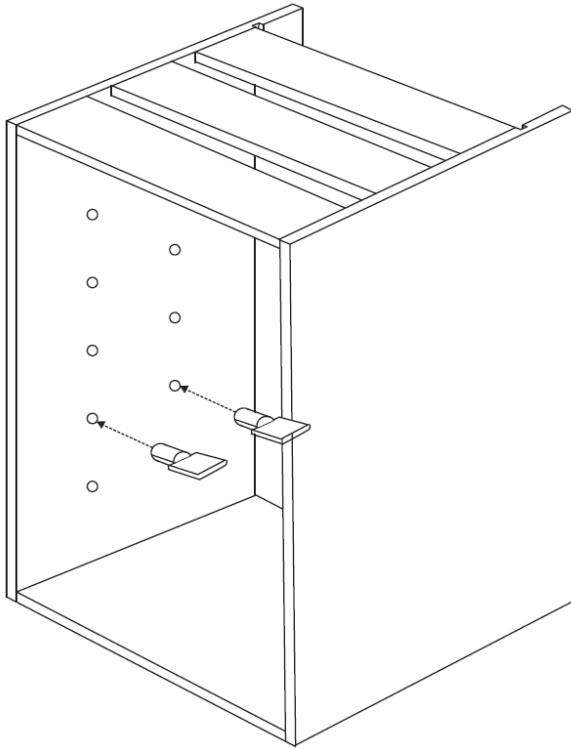
Fitting Cabinet to Wall

When fixing the cabinet to the wall you must only use slotted angle brackets **G**. A round head screw must be used to fix the bracket. It is important that you use the slot that runs at perpendicular to the width (across and not parallel with the grain).



Fitting Shelves and Plinths

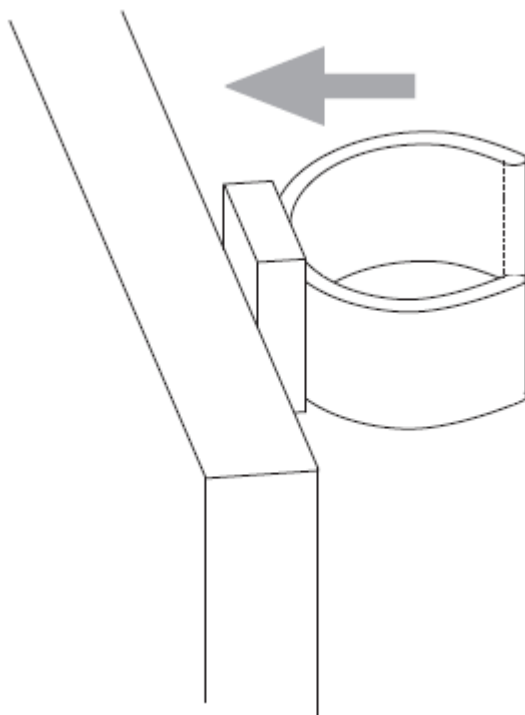
Shelves



Push the shelf supports **F** into the pre-drilled shelf holes then sit the shelf on top.

Plinths

Secure plinth to plinth holder clip **J** using screw **C** provided.



Clip each plinth clip onto the legs **I** at the front of the cabinet.