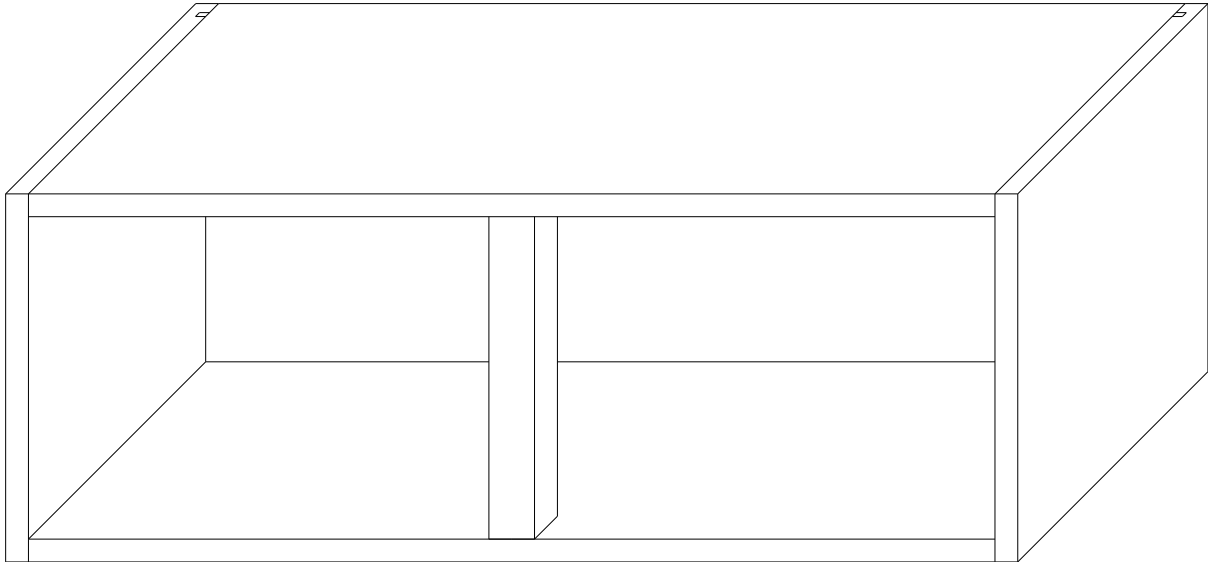


Assembly Guide

Bridge Wall Cabinet W800-1200



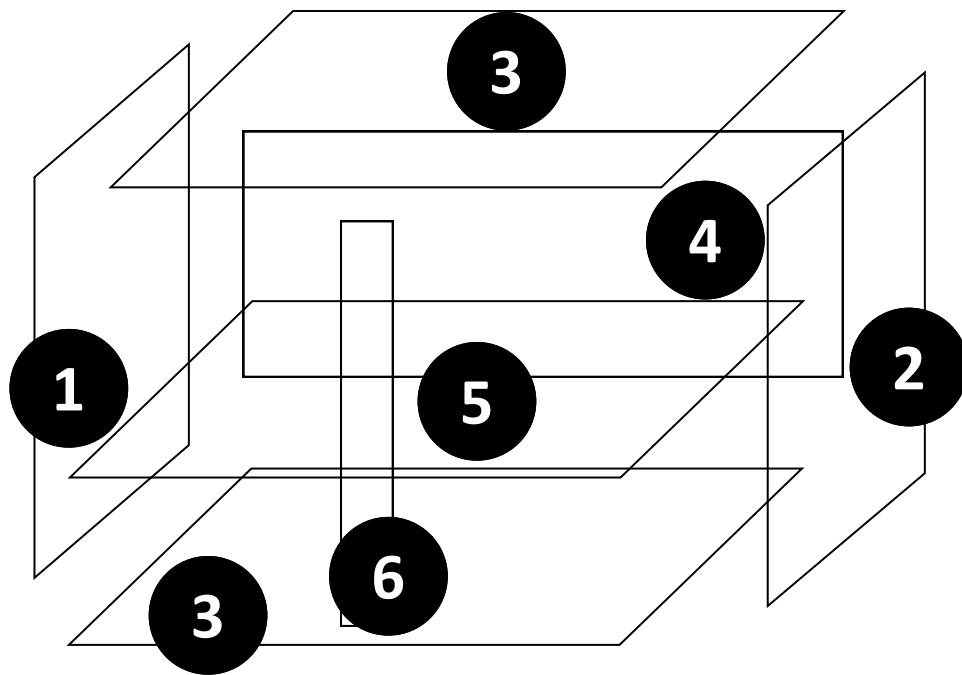
IMPORTANT – Please read prior to installation

Thanks for purchasing a solid oak kitchen cabinet. Prior to commencing installation please check the contents of this package to ensure that all necessary components are included. Please contact us immediately via email if any parts appear to be missing.

Please ensure that you assemble the goods in a clean, dry area, with plenty of space, and that you have the correct tools and equipment to hand. We recommend that you read the instructions in full before you commence assembly; and if unsure we advise an initial rehearsal of the instruction procedure without physically assembling any items. Only construct one cabinet at a time, and follow the installation stages in order without modification. During installation, be careful to keep the relevant fittings for each cabinet together. Do not over tighten screws, and ensure that any larger panels are laid flat and protected.

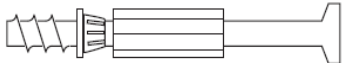

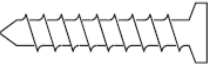
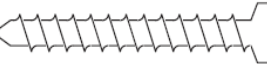

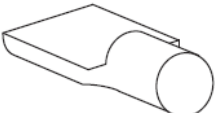
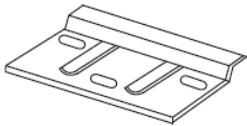
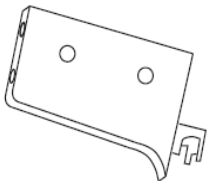
We advise using a damp cloth and - if necessary - a small amount of liquid soap to clean the cabinet. Do not use abrasive materials. For more information, please view the full cleaning and aftercare guide on our website.

Panels



- 1** x 1
- 2** x 1
- 3** x 2
- 4** x 1
- 5** x 1
- 6** x 1

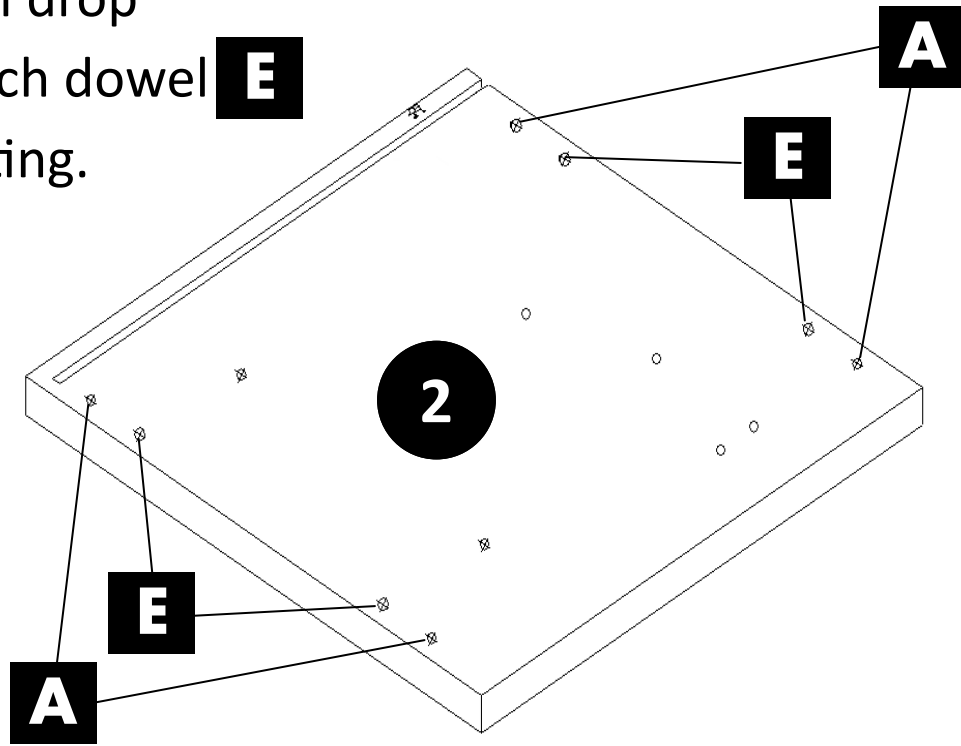
Hardware

- 8 x** **A** 
- 8 x** **B** 
- 6 x** **C**  25mm
- 4 x** **D**  30mm
- 12 x** **E** 
- 4 x** **F** 
- 2 x** **G** 
- 2 x** **H** 

1

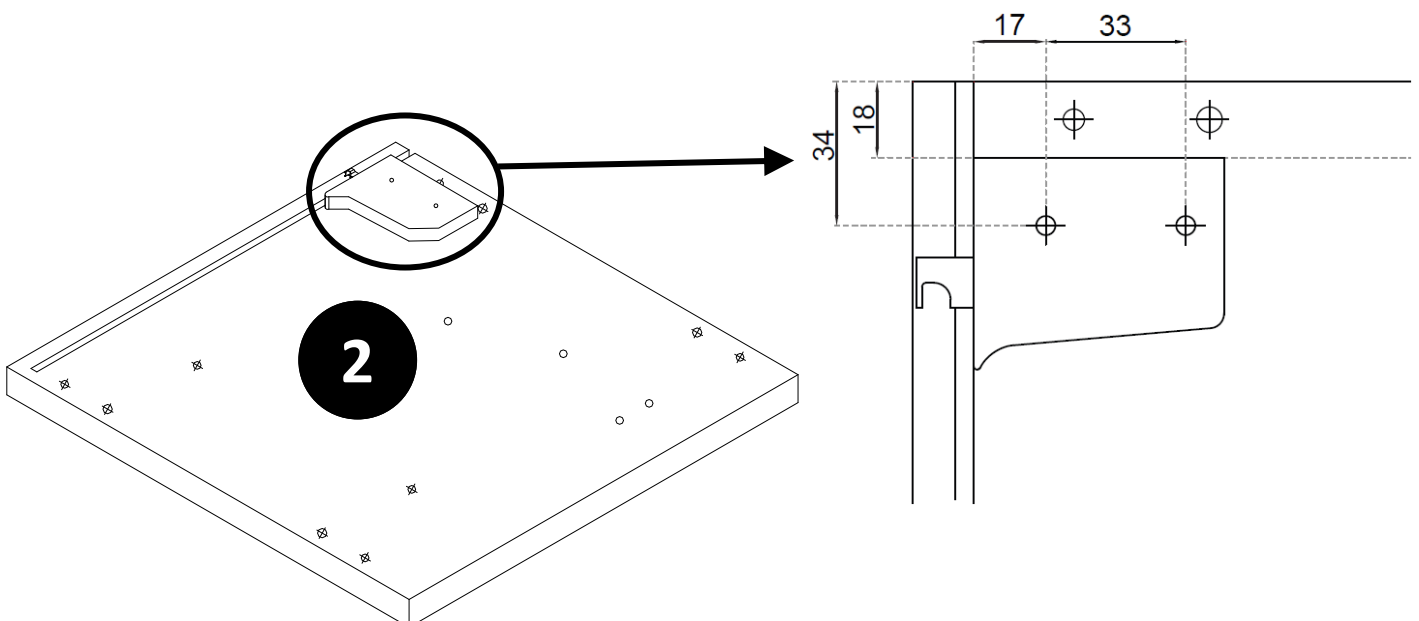
Insert connecting bolts **A** and dowels **E** into side panel **2** as shown in the diagram below.

Apply a small drop of glue to each dowel **E** before inserting.



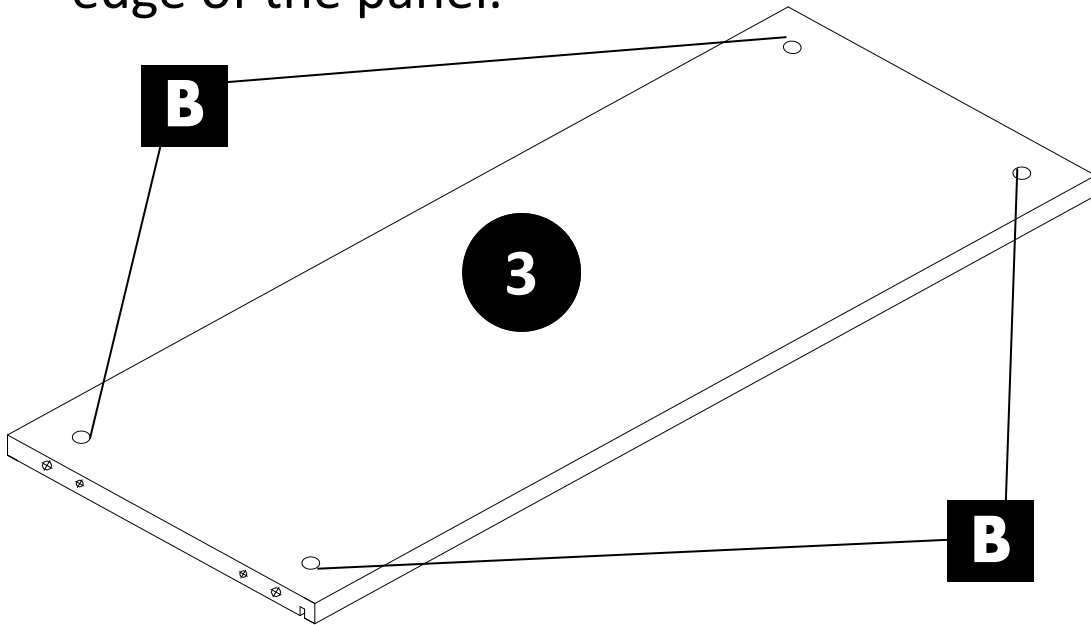
2

Attach wall hanging unit **H** to the top of side panels **2** and **1** using the screws **D**.



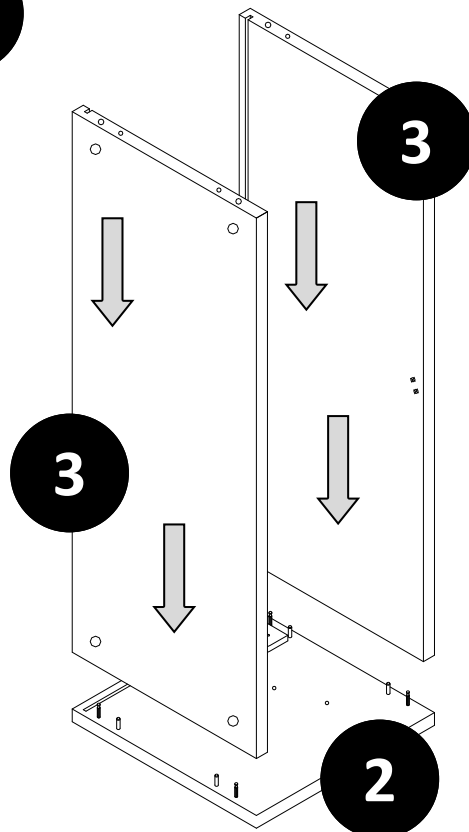
3

Insert cams **B** into the base and top panels **3** as shown in the diagram below. Ensure that the arrow marking is pointing towards the outside edge of the panel.



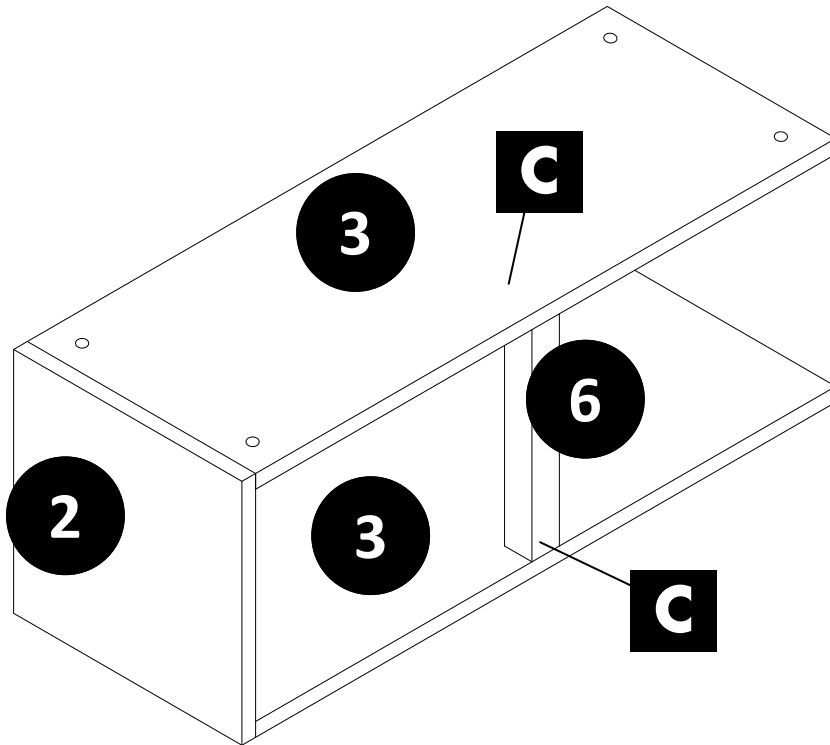
4

Connect the base panel **3** to the side panel **2** using the fittings inserted during steps 1 and 2. Repeat the process for top panel **3**



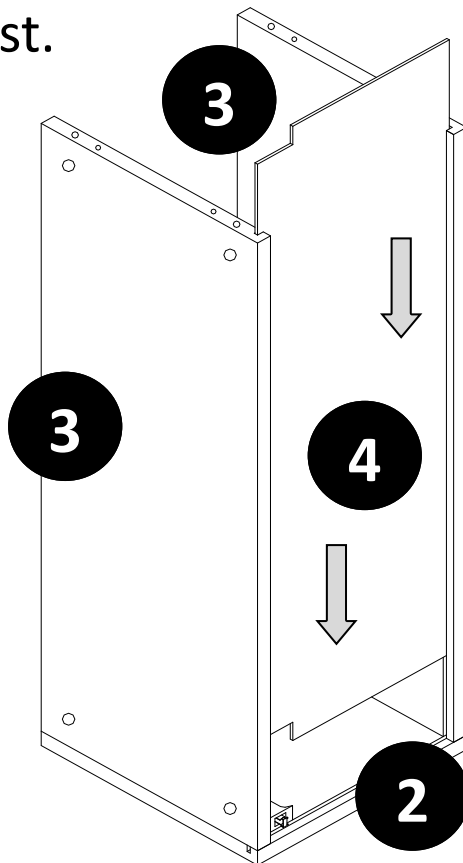
5

Fit the support panel **6** using 4 x dowels **E** and secure with 2 x screws **C**.



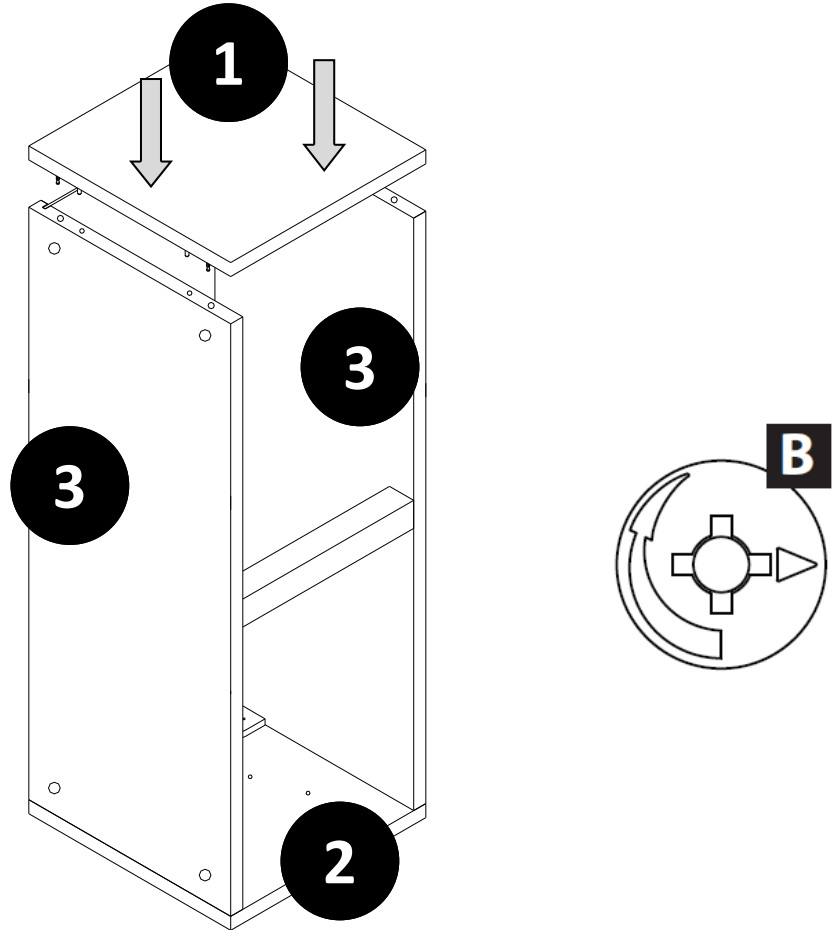
6

Slide the back panel **4** between the grooves on the inside edge of panels **3**. It is advised to apply a small amount of glue along the grooves first.



7

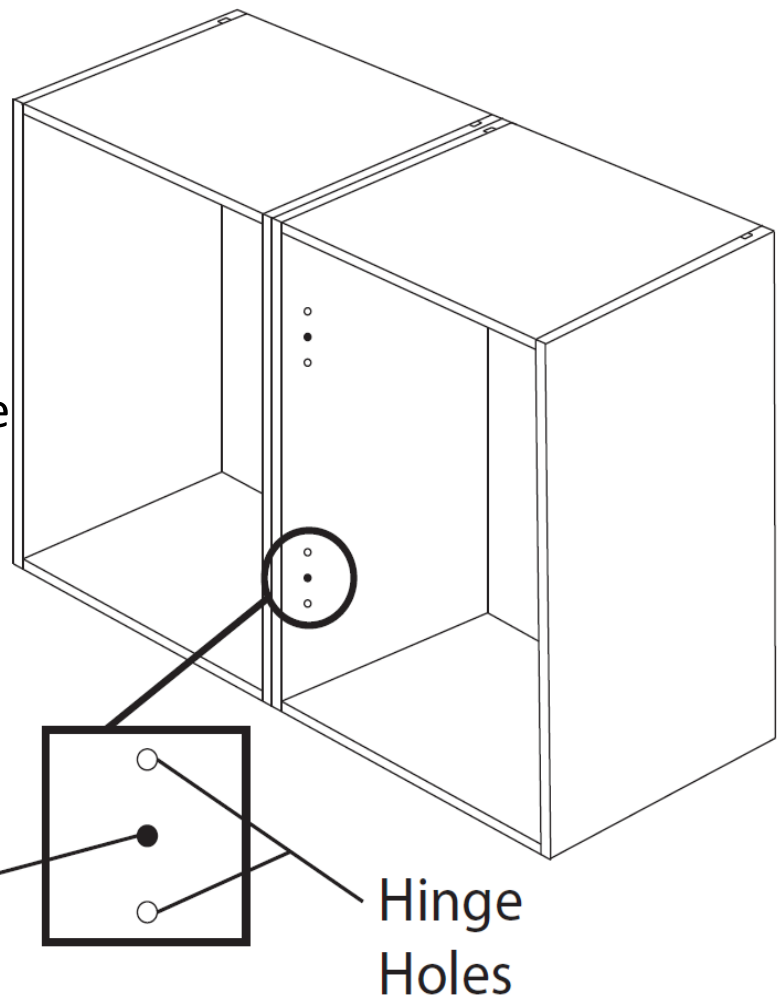
Connect the opposite side panel **1** as shown in the diagram below. Tighten all the fittings **B** by turning them in the direction of the arrow with a screwdriver.



Joining Cabinets

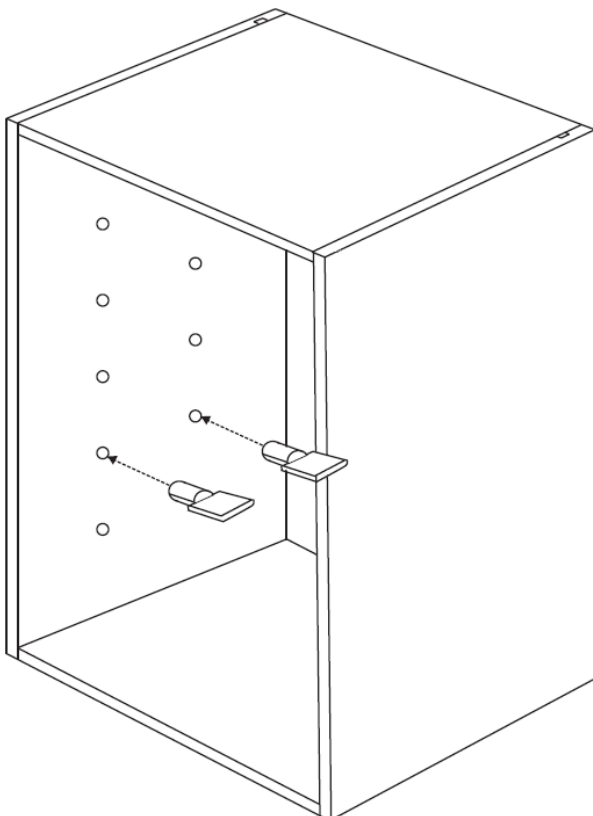
Cabinets should be joined between each set of hinge holes on the inside edge of the side panel as shown in the diagram. Mark 25mm as a guide on a 3mm diameter drill bit using masking tape. Drill between the hinge holes into the cabinet side panel (18mm) and 7mm into the next until you reach the marker. Join the two cabinets together using the 25mm screws provided **C**

Join Hole



Hinge Holes

Fitting Shelves



Push the shelf supports **F** into the pre-drilled shelf holes then sit the shelf **5** on top.