

# Installation Guide

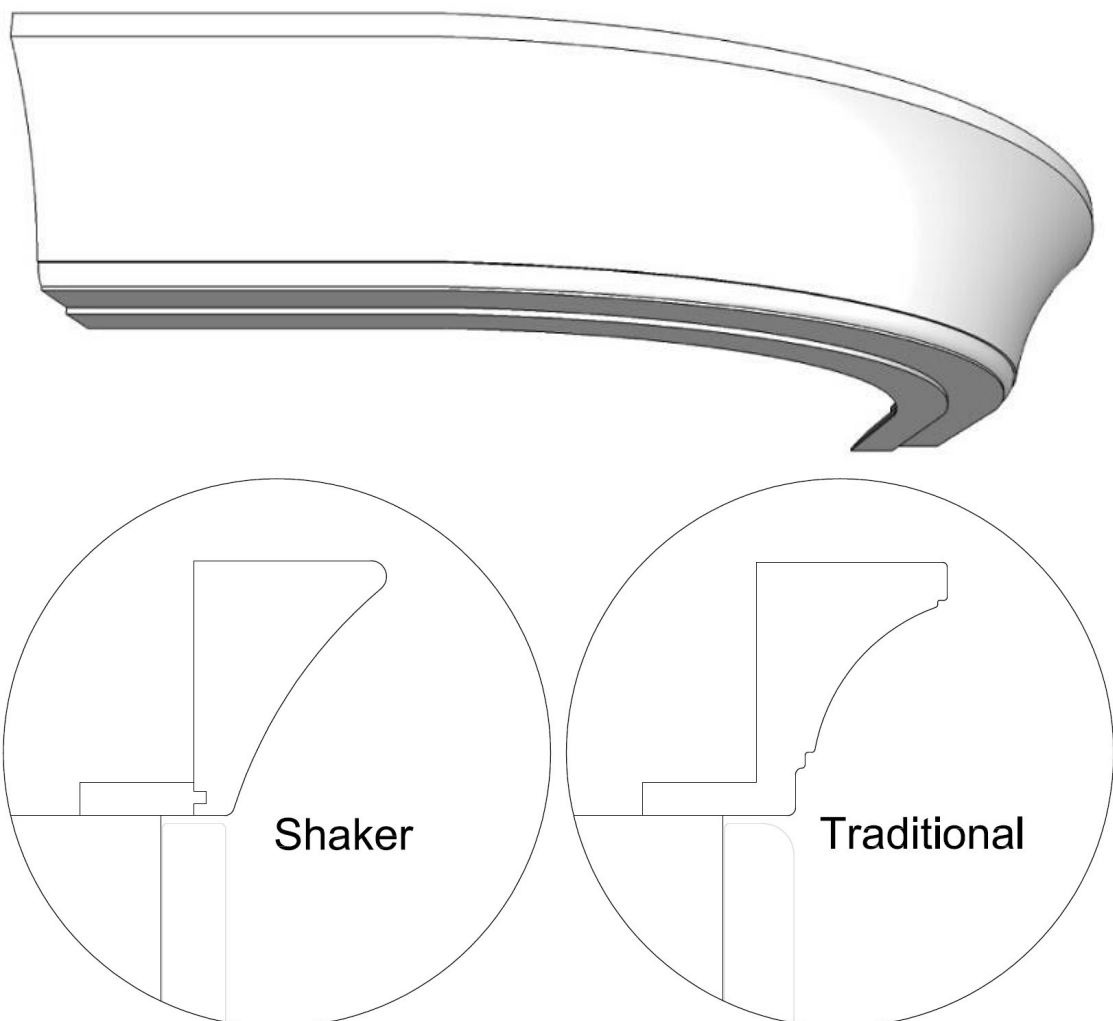
## Curved Cornice

### **IMPORTANT – Please read prior to installation**

Thanks for purchasing a solid oak curved cornice. Prior to commencing installation please check the contents of this package to ensure that all necessary components are included. Please contact us immediately via email if any parts appear to be missing.

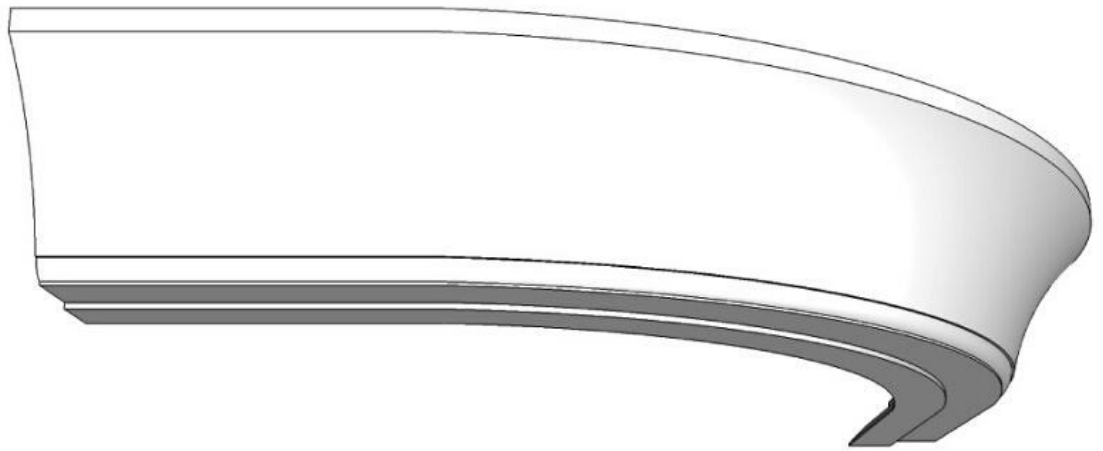
Please ensure that you assemble the goods in a clean, dry area, with plenty of space, and that you have the correct tools and equipment to hand. We recommend that you read the instructions in full before commencing assembly; and if unsure we advise an initial rehearsal of the installation procedure without physically assembling any items..

We advise using a damp cloth and – if necessary – a small amount of liquid soap to clean the product. Do not use abrasive materials. For more information, please view the full cleaning and aftercare guide on our website.



# CURVED CORNICE

**1 x**

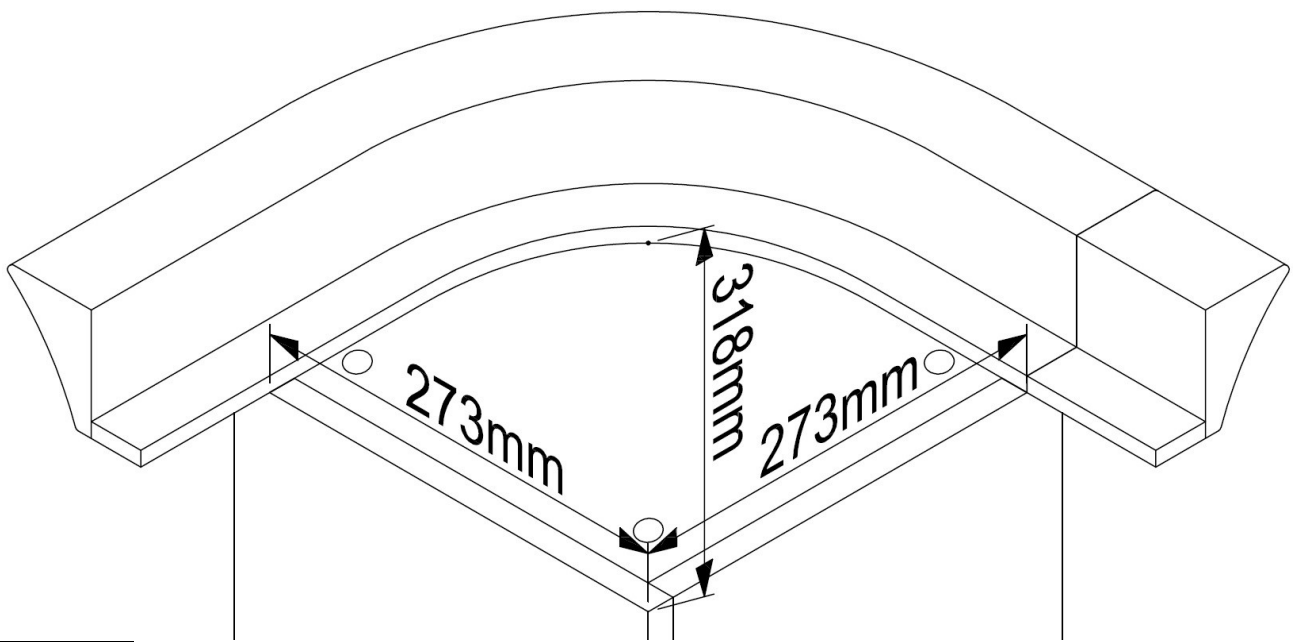


Hardware (not included)

**5 x** **A**  **15mm**

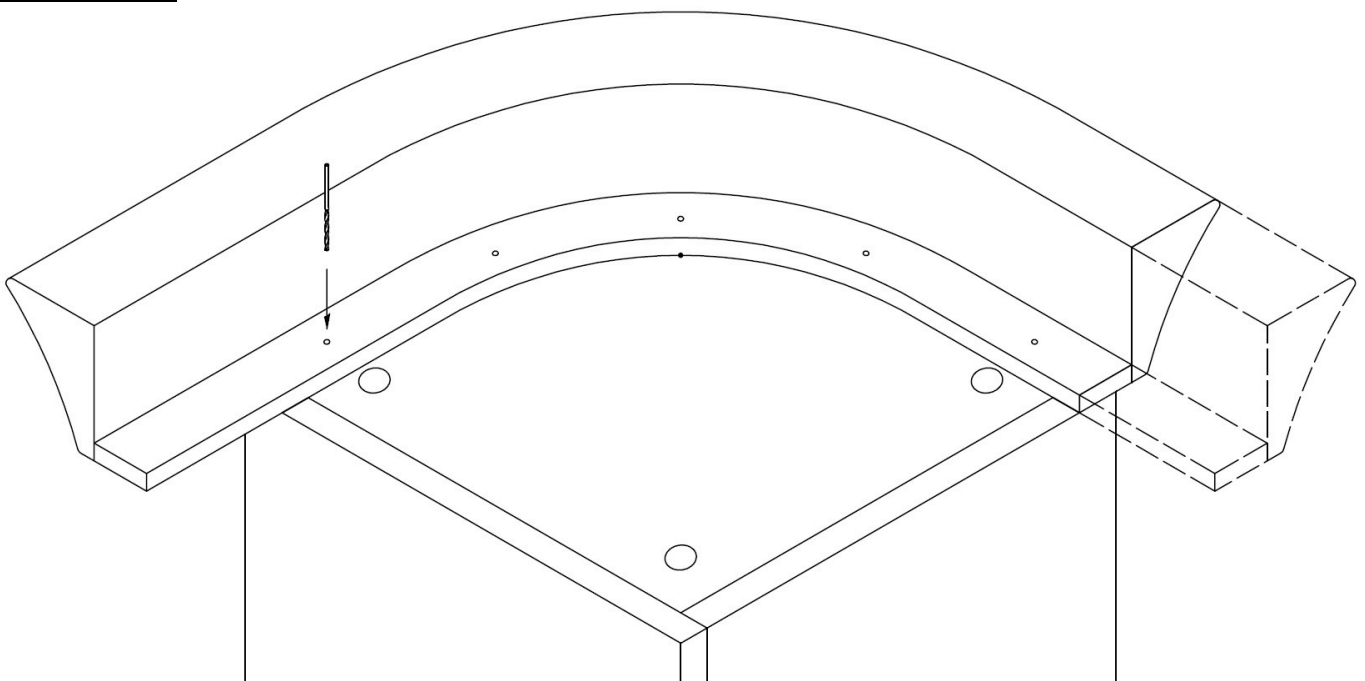
**1**

To fix the curved cornice please position it on top of the curved wall cabinet and mark 3 points which will allow for the correct positioning of the cornice. Mark the line on the cornice which will help you to cut it. Use a chop saw to cut the cornice. Remember to cut it from the correct side.



**2**

Please pre-drill the curved cornice fitting element with five holes using a 3mm drill bit.



**3**

Screw the curved cornice into the curved wall cabinet using five 15mm long screws **A**

