

# Installation Guide

## Plate Rack (H)342mm

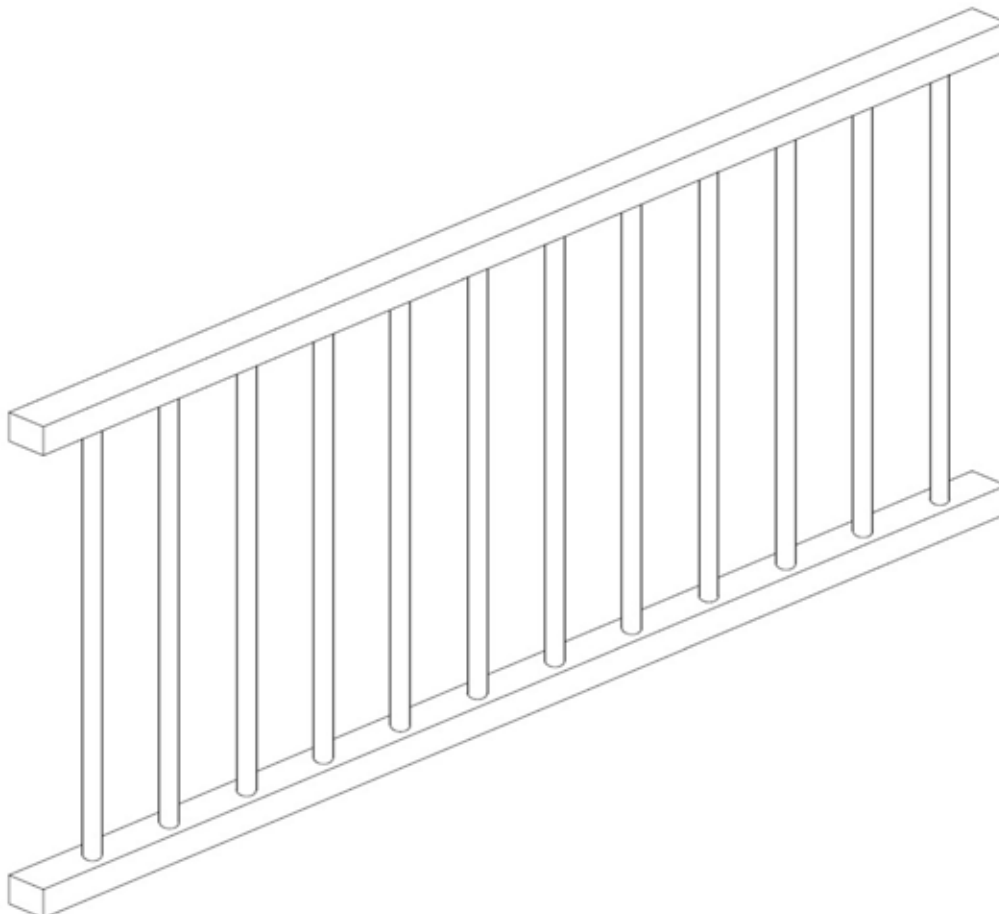
### **IMPORTANT – Please read prior to installation**

Thanks for purchasing a solid oak plate rack. This document contains guidance regarding installation of plate racks into new cabinets; for existing cabinetry, you may find that the use of brackets is the most suitable method of affixing your plate rack.

Prior to commencing installation please check the contents of this package to ensure that all necessary components are included. Please contact us immediately via email if any parts appear to be missing.

Please ensure that you assemble the goods in a clean, dry area, with plenty of space, and that you have the correct tools and equipment to hand. We recommend that you read the instructions in full before commencing assembly; and if unsure we advise an initial rehearsal of the installation procedure without physically assembling any items.

We advise using a damp cloth and – if necessary – a small amount of liquid soap to clean the product. Do not use abrasive materials. For more information, please view the full cleaning and aftercare guide on our website.



# PLATE RACK

1 x



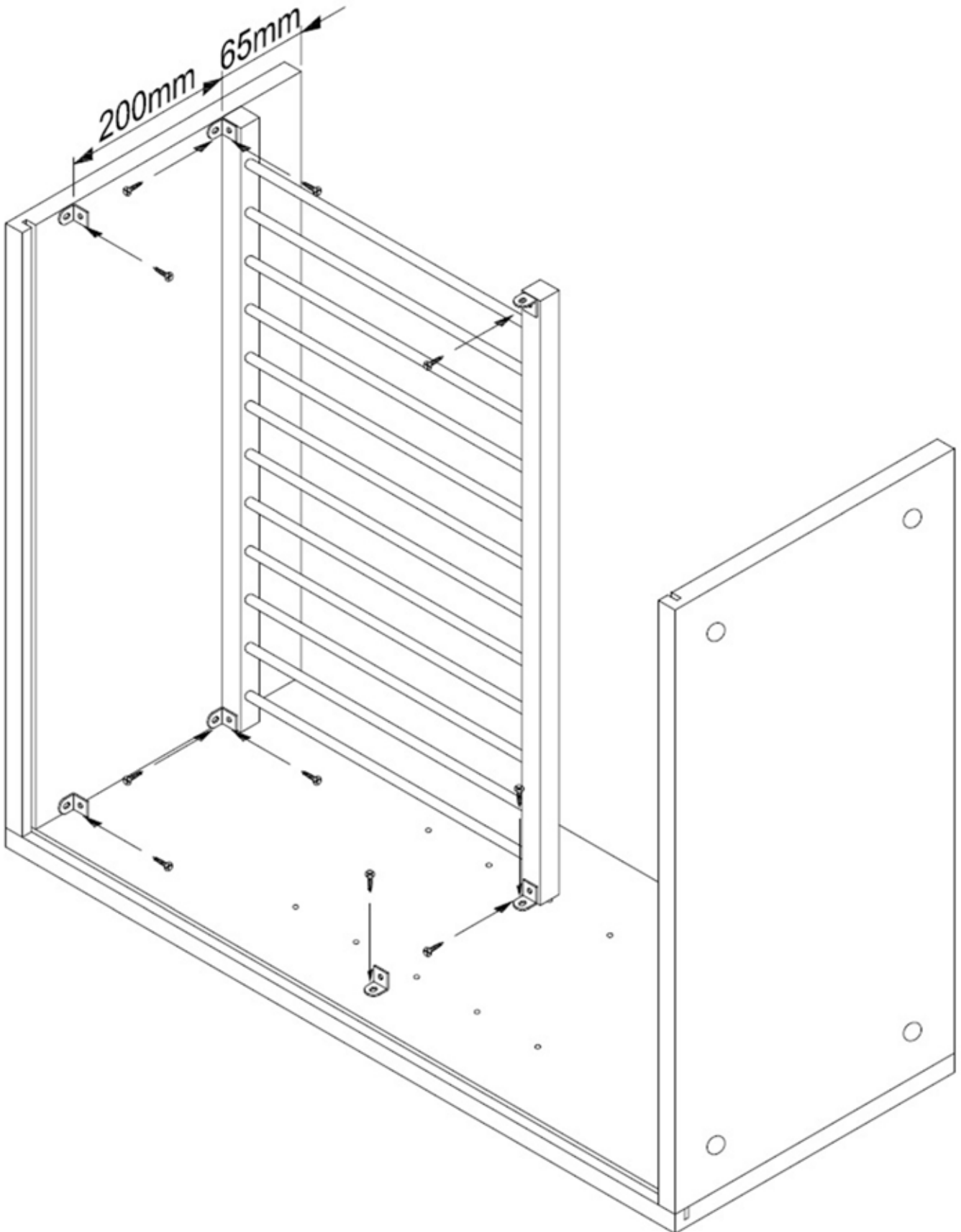
## Hardware (not included)

16 x **A**  15mm

8 x **B** 

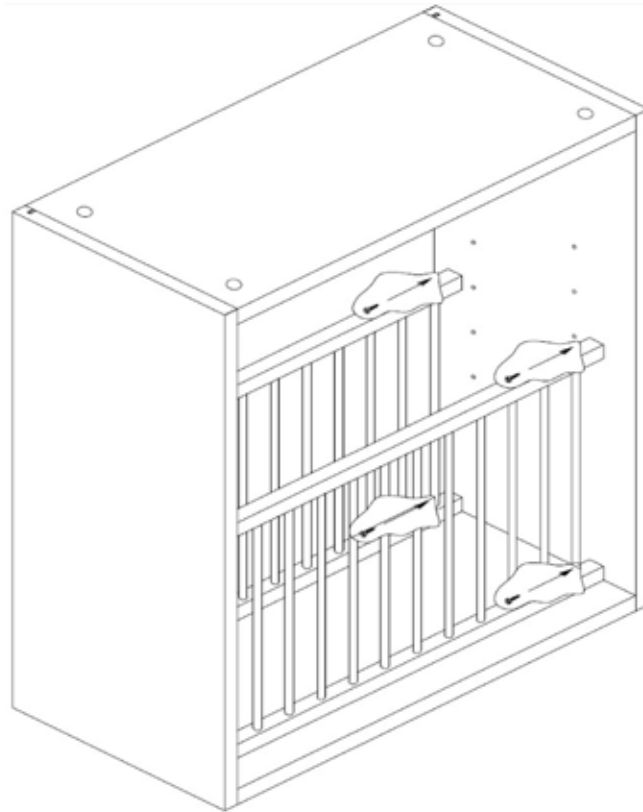
1

Please find below three proposals by which to fit your plate rack on to your cabinet. Please follow the relevant cabinet assembly instructions and cut the plate rack to suit the internal width of your cabinet. Screw in L-Brackets using 15mm long screws **A** on to the side and bottom cabinet panels maintaining the dimensions below and then screw the plate rack in to fitted L-Brackets. Continue assembling your cabinet.



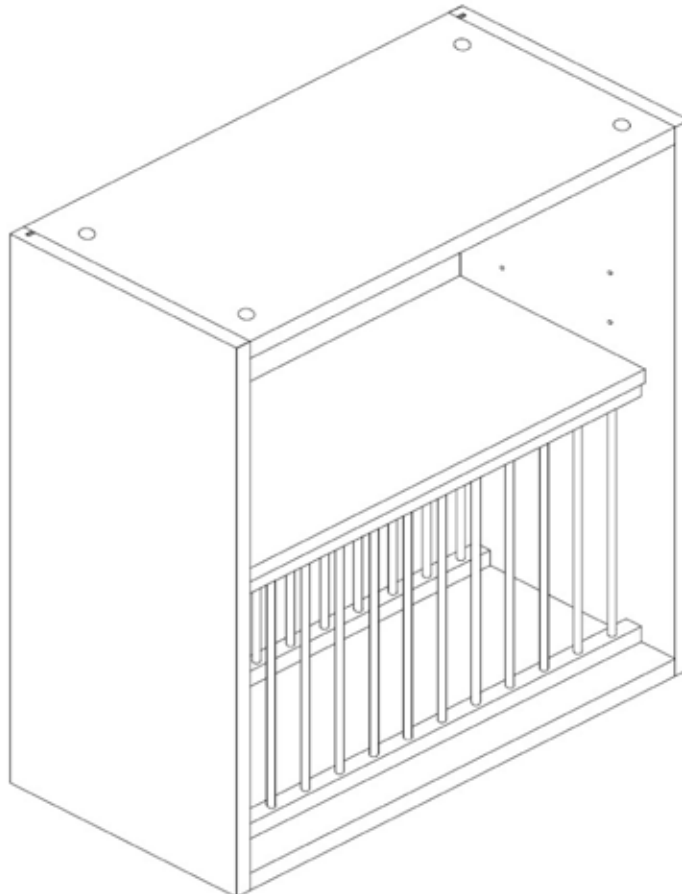
2

When the back panel is fitted and the second side panel is secured the plate rack can be screwed on to it with the previously fitted L-Brackets using 15mm screws **A**.



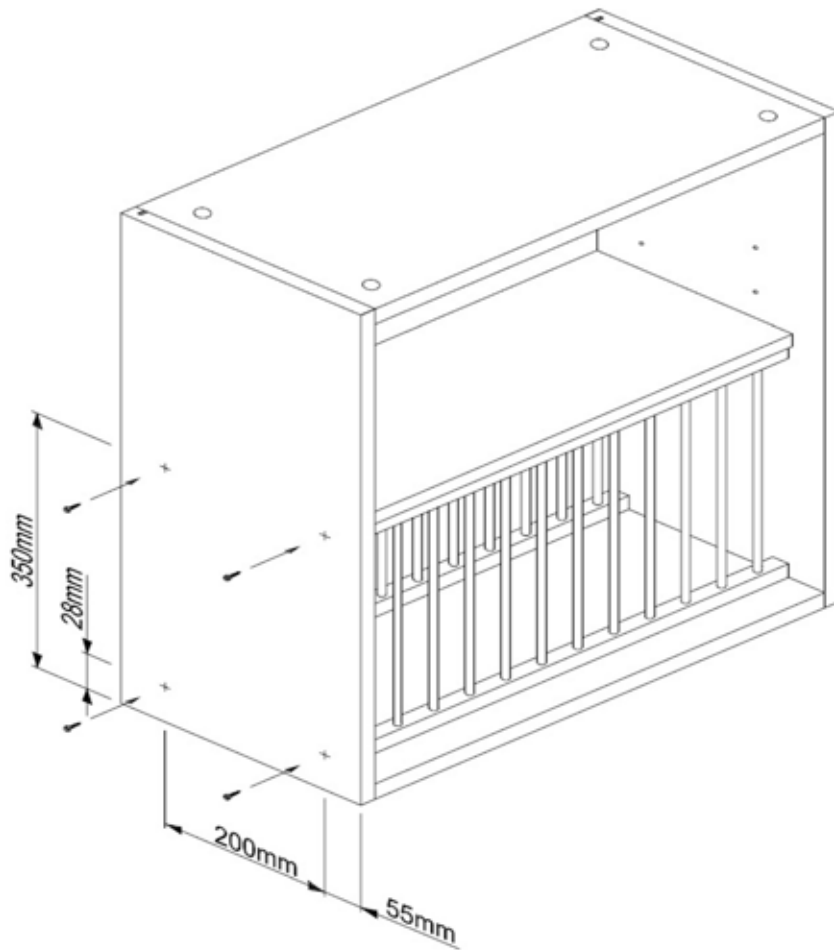
3

The last step is to slide in the shelf which will sit on top of the plate racks.



# 1.A

The second method by which to fit your plate rack is to screw it directly on to the side panels using eight 3x25mm screws (not included). Please be sure to maintain the dimensions listed below.



# 1.B

The third method by which to fit your plate rack is to create two 21mm grooves on the top part of the bottom panel and on the bottom of the shelf (whilst maintaining the dimensions listed below). The plate rack will sit in those grooves. Please note that the shelf will need to be screwed into the back panel.

