

Product finish	Chrome
Product category	Bridge
First supplied date	29/09/2006

EAN 13 barcode	5015834032351
Location of DOM trace code:	ABTBL1(mm/yy) on rear spout base



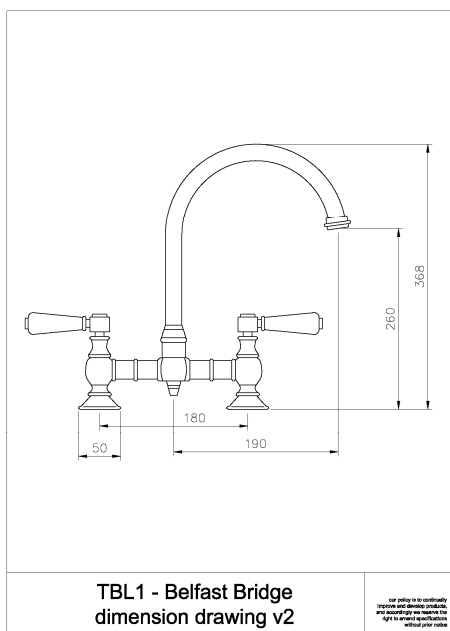
Nb. Model shown may not be displayed in the finish as described.

Product features:

- Metal construction throughout (acrylic levers)
- Custom designed for lower to mid pressures
- Quarter turn handle action for precise flow control
- Antisplash spout supplied as standard
- Traditional styling

Additional information / Parts included:

Product dimensions & valve type:



- **Overall Height / projection:** 368 mm
- **Exit reach:** 190 mm
- **Exit height:** 260 mm
- **Centre distance(s):** 180 mm

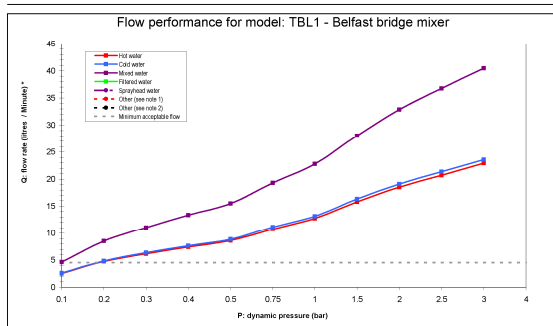
- **Base diameter(s):** 50 mm
- **Recommended fixing hole diameter:** Ø 22-35 mm
- **Max. surface fixing depth:** 40 mm

- **Control valve type:** 1/2" Quarter turn ceramic disc
- **Valve detail:** 8-20

- **DDA compliant design?** Yes

Product flow characteristics:

	Dynamic working pressure (bar)											
	0.1	0.2	0.3	0.4	0.5	0.75	1	1.5	2	2.5	3	4
Hot water	2.25	4.75	8.75	12.25	15.75	20.75	25.75	30.75	35.75	40.75	45.75	50.75
Cold water	2.00	4.54	8.30	11.62	15.00	19.15	23.14	27.05	30.88	34.63	38.30	41.89
Mixed water	4.00	8.52	15.00	21.38	27.50	33.38	39.05	44.50	49.75	54.88	59.88	64.75
Filtrated water												
Sprayed water												
Other (see note 1)												
Other (see note 2)												



note 1:
note 2:

- **Min / Max water pressure:** 0.10 / 5.50 bar (LP)

- **Recommended / Maximum water temperature:** 46°C / 70°C

- **Part G:** Unrestricted mixed flow rate, 3 bar (litres / min): 40.48

*Flow results are produced under test conditions and represent the non flow regulated dynamic output of the product model.

LP (lower pressure) less than 0.5 bar
MP (medium pressure) 0.5 bar to 1 bar
HP1 (high pressure) 1 bar to 2 bar
HP2 (very high pressure) 2 bar or more

Minimum flow rate (1 GPM) based on mixed flow.

Flow regulator included? N/A

Inlet pipes:

- **Tail pipe inlet / outlet size:** N/A / 1/2" BSPP male (15mm ID)
- **Inlet pipe type / length:** Fixed threaded inlets / 60 mm

Spout detail & Flow characteristics:

- | | |
|--|--|
| <ul style="list-style-type: none"> • Spout diameter: 20 mm • Spout aerator size: M22X1 F • Spout rotation range: 360° • Aerator type: Flow straightener • Aerator colouring: Light grey plastic • Spout connection: Spout locking collar | <ul style="list-style-type: none"> • Product flow characteristics: Single flow • Non return valve (NRV) supplied: No, None supplied • NRV required to be installed for byelaw compliance:
Yes, on both hot & cold supplies |
|--|--|

Product markings and indicators:

- **Branding position:** 'Rangemaster' Laser marked on centre of bridge horizontal (on flat 'square' section)
- **Hot / Cold indication:** Hot & Cold Black Printed In Script Font On White Indicies

Packaged properties:

Box length: 360 mm	Box depth: 105 mm
Box width: 270 mm	Units per outer: 5
Box has 'pressure warning sticker' ?	No
Packaging branding:	Brown Rangemaster with black print

Tap only weight: 2.14 kg
Boxed weight: 2.50 kg
Total card weight: 391 grams
Total plastics weight: 25 grams

- **Approval certificate number:**
- **Expiry date:**

Warranty Summary (Full details available on request):

- Materials and workmanship defects warranted for 5 years
- Valves and working parts warranted for 5 years
- Surface warranty defects warranted for 5 year
- O-rings, hoses & gaskets warranted for 5 years

Care instructions:

- Clean the mixers and showers regularly as required, using soap, do not use any other cleaners.
- Regular cleaning will prevent the build up of lime scale and dirt
- After cleaning rinse thoroughly with clean water to remove any cleaner residue
- Residues of sink & worktop cleaners can also cause damage, so rinse with clean water after using, avoid contact with any abrasives